




Hydraulic automation for swing gates



Compatible with the App 



Safe and user friendly technologies

**OLIN is a range of hydraulic rams, designed for big swing gates or for those applications where an intensive use is requested.**

- Intended for collective and industrial use
- **Intensive use**, robustness and reliability
- Wide range of operators, slow or fast version, reversible or irreversible
- Designed for **swing gates up to 4,5m**
- Slow-down management in opening and closing (using NET230N control board)\*
- **Cage-mode management** and **traffic lights management** with **expansion board NET-EXPANSION** (optional and compatible only with DE@NET control boards)

\*not advised on heavy leaves or in presence of wind effect

## Hydraulic rams 230V ~ without control board



### Stroke 270mm

COD.	Art.				OTHER CHARACTERISTICS
624005	OLI 602AN	● ● ●	A	270mm	• Self-locking in open position only, for leaves up to 2m length
624055	OLI 602LAN	● ● ●	A	270mm	• Self-locking in open position only, slow version, for leaves up to 2,5m length
624004	OLI 602N	● ● ●	C	270mm	• Self-locking in close position only, for leaves up to 2m length
624054	OLI 602LN	● ● ●	C	270mm	• Self-locking in close position only, slow version, for leaves up to 2,5m length
624013	OLI 603N	● ● ●		270mm	• Self-locking in open and close position, for leaves up to 2m length
624063	OLI 603LN	● ● ●		270mm	• Self-locking in open and close position, slow version, for leaves up to 2,5m length
624023	OLI 604N	● ● ●	✓	270mm	• Not self-locking, for leaves up to 2,5m length
624073	OLI 604LN	● ● ●	✓	270mm	• Not self-locking, slow version, for leaves up to 3m length

### Stroke 400mm

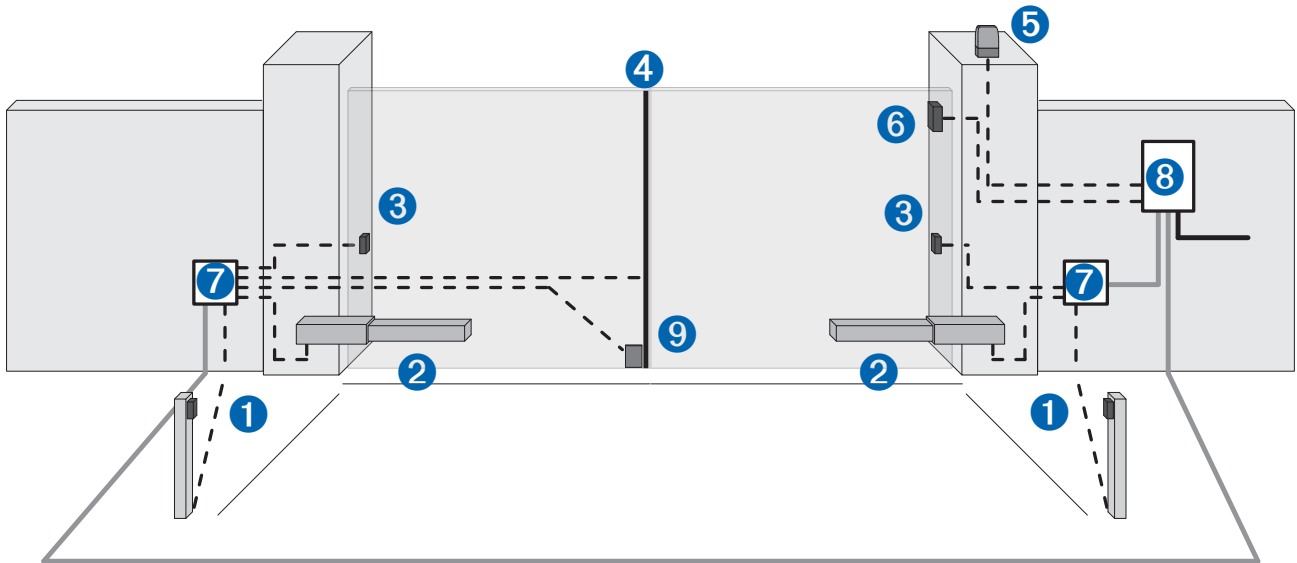
COD.	Art.				OTHER CHARACTERISTICS
624033	OLI 605N	● ● ●		400mm	• Self-locking in open and closed position, for leaves up to 2,5m length
624083	OLI 605LN	● ● ●		400mm	• Self-locking in open and closed position, slow version, for leaves up to 3m length
624043	OLI 606N	● ● ●	✓	400mm	• Not self-locking, for leaves up to 3,5m length
624093	OLI 606LN	● ● ●	✓	400mm	• Not self-locking, slow version, for leaves up to 4,5m length
624104	OLI 607AN	● ● ●	A	400mm	• Self-locking in open position, for leaves up to 3m length
624114	OLI 607LAN	● ● ●	A	400mm	• Self-locking in open position, slow version, for leaves up to 3,5m length

**All models:** fixing plates to be welded included (art.0/353-0/653)

**Control board to complete the installation:** control board cod. 677610 art. NET230N/C (with box)

**All models:** in order to respect the limit of impact forces foreseen by EN 12453-1, you must use the external safety devices in compliance with EN 12978.

## Example of installation and accessories



- Corrugated pipe for power supply cable
- - - Ø40 corrugated pipe for connection between the control board and the junction box
- · · Ø20 corrugated pipe or external PVC conduit for connection between the control board and the command and safety accessories

pos.	description
1	Column with photocells
2	Operator
3	Photocells
4	Safety edge
5	Flashing light
6	Keyswitch / Digicode
7	Junction box
8	Control board
9	Electric-lock

**COD. 661063**  
**Art. AURA230**  
230V flashing LED, with integrated antenna, 433 MHz

**COD. 672635**  
**Art. GTI2**  
Serialized white 2-channel remote control, 433 MHz, with 3 coding: HCS Rolling-Code, Dip-Switch and new D.A.R.T. coding

**COD. 672645**  
**Art. GTI4**  
Serialized white 4-channel remote control, 433 MHz, with 3 coding: HCS Rolling-Code, Dip-Switch and new D.A.R.T. coding

**COD. 662044**  
**Art. LINEAR**  
Pair of adjustable photocells (180°) with possibility of synchronized operating. Range 20m

**COD. 662043**  
**Art. LINEAR/B**  
Pair of wall mounted adjustable photocells. Range 7/15m

**COD. 662047**  
**Art. LINEAR/SHIELD**  
Pair of adjustable photocells LINEAR with vandal-proof aluminium cover art. COVER

**COD. 681060**  
**Art. COVER**  
Vandal-proof aluminium cover for LINEAR and LINEAR/B photocells (2 pcs)

**COD. 664020**  
**Art. PILLY/BASE**  
Pair of wall plates for columns to be cemented

**COD. 664010**  
**Art. PILLY/120**  
100cm column for photocell and accessories (2 pcs)

**COD. 664000**  
**Art. PILLY/60**  
55cm column for photocell and accessories (2 pcs)

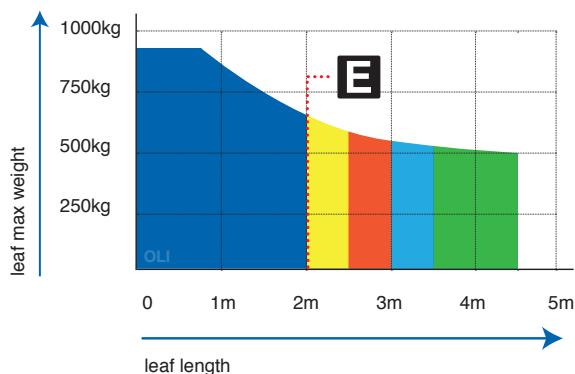
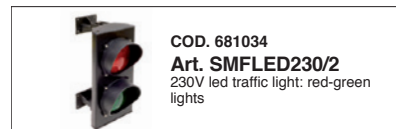
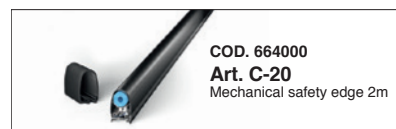
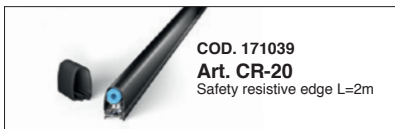
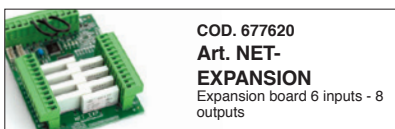
**COD. 663311**  
**Art. DIGISLIM**  
Digikey with cable and proximity reader

**COD. 663310**  
**Art. DIGIPRO**  
Digikey with cable and proximity reader

**COD. 663280**  
**Art. DIGIRAD**  
Wireless keypad

**COD. 673011**  
**Art. COINPROX**  
Proximity token with transponder

**COD. 673001**  
**Art. CARDPROX**  
Proximity card with transponder, blank



**E** = Electric lock

- = 602N - 602AN - 603N
- = 602LN - 602LAN - 603LN - 604N - 605N
- = 604LN - 605LN - 607AN
- = 606N - 607LAN
- = 606LN

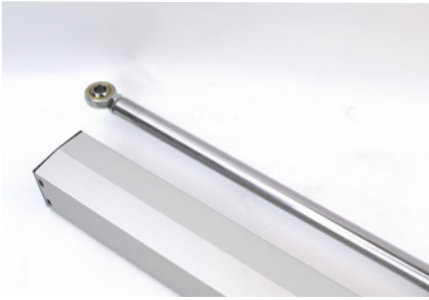
If the leaf length is bigger than 2 meters or if you use reversible models you must install the electric-lock to block the gate in closed position. The height and the leaf structure, as well as the presence of strong wind, can cause the reduction of the value of the data contained in table.

### Technical info and dimensions

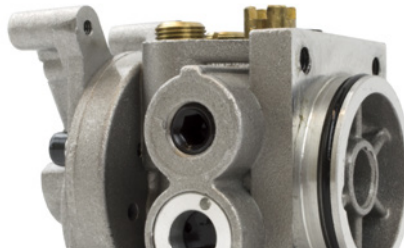
TECHNICAL INFO	OLI 602N - OLI 602AN - OLI 603N - OLI 604N	OLI 605N - OLI 606N - OLI 607AN	OLI 602LN - OLI 602LAN - OLI 603LN - OLI 604LN	OLI 605LN - OLI 606LN - OLI 607LAN
Motor power supply (V)	230V ~ ± 10 % (50/60 Hz)			
Maximum power absorption (W)	170			
Max thrust (N)	3980		5600	
Max traction force (N)	3200		4460	
Duty cycle (cycles/hours)	60		50	40
N. max cycles in 24h.	480		400	320
Built-in capacitor (µF)	8			
Operating temperature (°C)	-20 ÷ 50			
Motor thermal protection (°C)	130			
90° Opening time (s)	21	31	30	40
Weight with packing (Kg)	11,4	13	11,4	13
Sound pressure (dBA)	< 70			
Protection level	IP55			

Used Oil: AGIP Arnica A15

## Characteristics



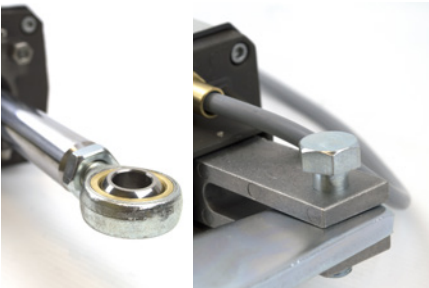
Available in two versions: **270mm short stroke** for 90° opening angle and **400mm long stroke** for 110° opening angle.



Hydraulic pump in **slow or fast** version depending on the leaf's dimensions.



Unlocking device with **personalized key**.

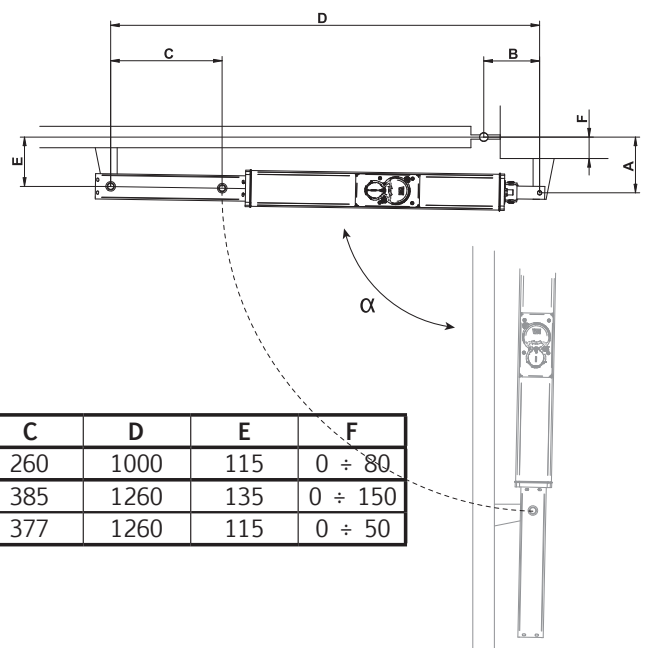
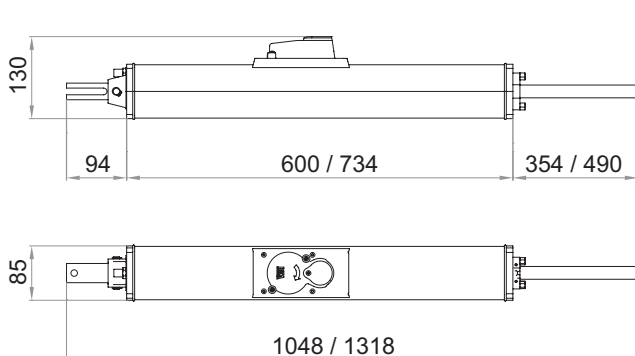


Front ball and articulated rear joint to allow the usage with **doors in slope**.



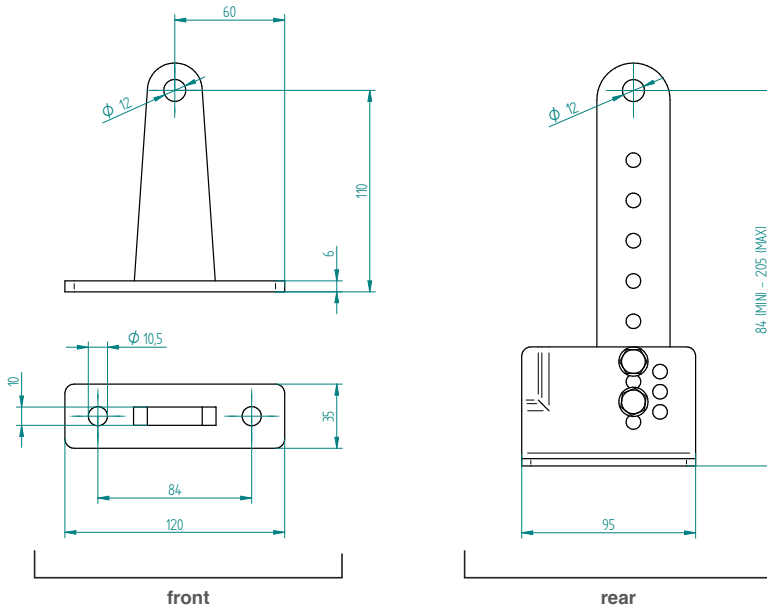
**Resin power cord** to prevent oil spills.

## Dimensions

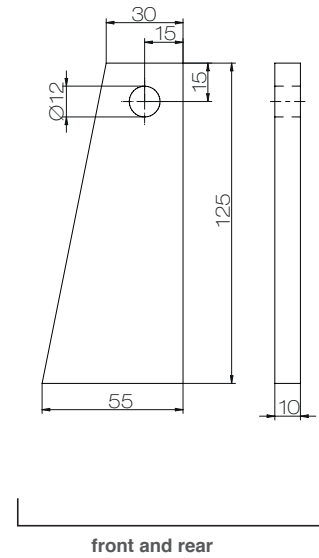


Model	$\alpha$	A	B	C	D	E	F
270	90°	130	130	260	1000	115	0 ÷ 80
400	90°	230	150	385	1260	135	0 ÷ 150
	110°	130	190	377	1260	115	0 ÷ 50

### Fixing plate to be screwed:



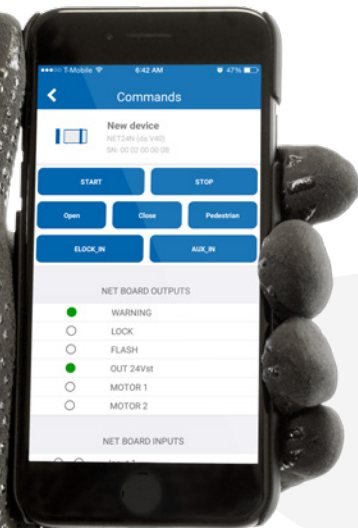
### Fixing plate to be welded:



### DEAinstaller



**NET-NODE**  
cod. 677640



**DEAinstaller** is an application dedicated to **the professional installer**.

It allows you to **program** and **manage** an automation in a simple and intuitive way through the use of a smartphone, by simply connecting **NET-NODE** to the device.

The application allows you to quickly and accurately adjust the operating parameters thanks to a friendly interface.

With the software updates of the control board you will always have all the new features and you will create a back-up of your installations data.

Replacing the control board and restoring the radio transmitters of your installations will be even simpler.

DEAinstaller App is available on:

